



## Technische Informationen

### Engineering Data Sheet

# Sub 1.18

1 x 18"  
Subwoofer

### Features:

- Power Handling Rated 500 W / 8 Ohms  
Peak 2000 W
- 18" EVS-18S LF Transducer
- Integrated Low Pass Filter
- 97 dB Sensitivity, 130 dB Maximum SPL
- Pole Mount to elevate a Loudspeaker
- Mounting Points to attach optional WK-C18 Wheel Kit

	Sub 1.18
<b>Order No.</b>	F01U165095
<b>Cabinet</b>	Subwoofer
<b>Configuration</b>	Vented - Direct Radiator
<b>Nominal Impedance</b>	8 Ohms
<b>Minimum Impedance</b>	7 Ohms
<b>Rated Power RMS</b>	500 W
<b>Peak Power</b>	2000 W
<b>Sound pressure level</b>	
<b>SPL 1 W / 1 m</b>	97 dB
<b>Max. SPL 1 m</b> (calculated with peak power)	130 dB
<b>Frequency Range (-10 dB)</b>	38Hz to 250 Hz
<b>Nominal Coverage Angle</b> (Horizontal x Vertical)	Omnidirectional
<b>LF Transducer</b>	EVS-18S, 18" (457 mm) Driver
<b>Connectors</b>	2x Neutrik Speakon NL4 Sub 1+ / 1- Wired Through 2+ / 2-
<b>Dimensions (W x H x D)</b>	508 mm x 763 mm x 595 mm (20.0" x 30.0" x 23.4")
<b>Net Weight</b>	38.7 kg (85.3 lbs)
<b>Shipping Weight</b>	42.5 kg (93.7 lbs)
<b>Enclosure material</b>	MDF with D-PUR PLUS
<b>Grille</b>	Steel, Black Finish with Acoustic Gauze
<b>Warranty</b>	5 years
<b>Optional Accessories</b>	
<b>WK-C18</b>	F01U169672
<b>Spare Parts</b>	
<b>LF Transducer</b>	F01U105741



**Wir weisen ausdrücklich darauf hin, dass bei gehängten Lautsprecherboxen die einschlägigen Sicherheitsbestimmungen zu beachten sind. Es muss unbedingt qualifizierte Fachberatung in Anspruch genommen werden!**

**We expressly point out that the relevant safety regulations must be observed for "flying" loudspeaker systems. It is imperative that qualified expert advice is sought.**

#### WARNING:

**THIS LOUDSPEAKER SYSTEM CAN PERMANENTLY DAMAGE HEARING!  
USE EXTREME CARE WHEN SETTING SOUND PRESSURE LEVELS!**

#### DANGER:

**CONSULT A CERTIFIED STRUCTURAL ENGINEER BEFORE ANY ATTEMPT TO SUSPEND THIS LOUDSPEAKER! LOUDSPEAKER CAN FALL FROM IMPROPER SUSPENSION, RESULTING IN SEVERE INJURY AND DAMAGE OF PROPERTY. DO NOT SUSPEND OR MOUNT ANY OTHER PRODUCT OR DEVICE FROM THIS LOUDSPEAKER ENCLOSURE! USE GRADE 5 HARDWARE OR BETTER ONLY!**

## Beschreibung

Der Subwoofer Sub 1.18 (1 x 18" EVS-18S woofer) ist die ideale kompakte Bass-Erweiterung für die Corus C 15.2 Fullrange-Box. Aufgrund des eingebauten Tiefpass-Filters kann sie bei Bedarf einfach im Single-Amp-Betrieb parallel betrieben werden. Empfehlenswert ist darüber hinaus natürlich die Kombination mit den Controllern DSP 260 oder DSP 600 und Endstufen der SL-Serie oder LX-Serie zum Aufbau aktiver Zweiweg-Systeme. Der Sub 1.18 ist für das optional erhältliche Wheelkit WK-C18 vorbereitet.

## Description

The subwoofer Sub 1.18 (1 x 18" EVS-18S woofer) is the ideal compact bass extension for the Corus C 15.2 full-range cabinet. Thanks to the integrated low-pass filter, it can, if desired, be operated simply in parallel in Single Amp mode. Also recommended, naturally, is the combination with the controllers DSP 260 or DSP 600 and power amplifiers from the SL or LX series for the creation of active two-way systems. The Sub 1.18 is prepared for the optionally available WK-C18 wheel kit.

Illustration 1: Dimensions

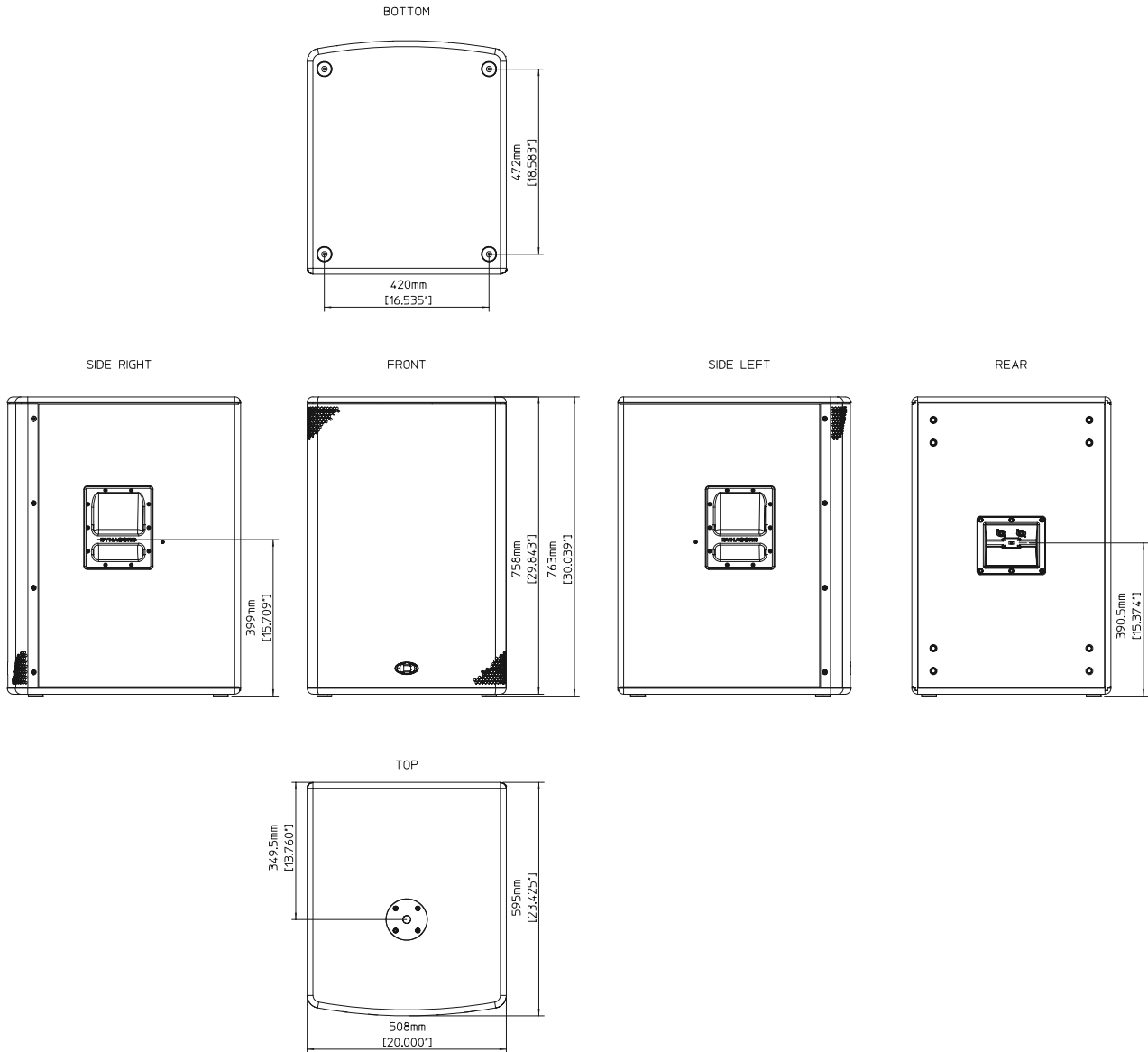


Illustration 2: Frequency Response

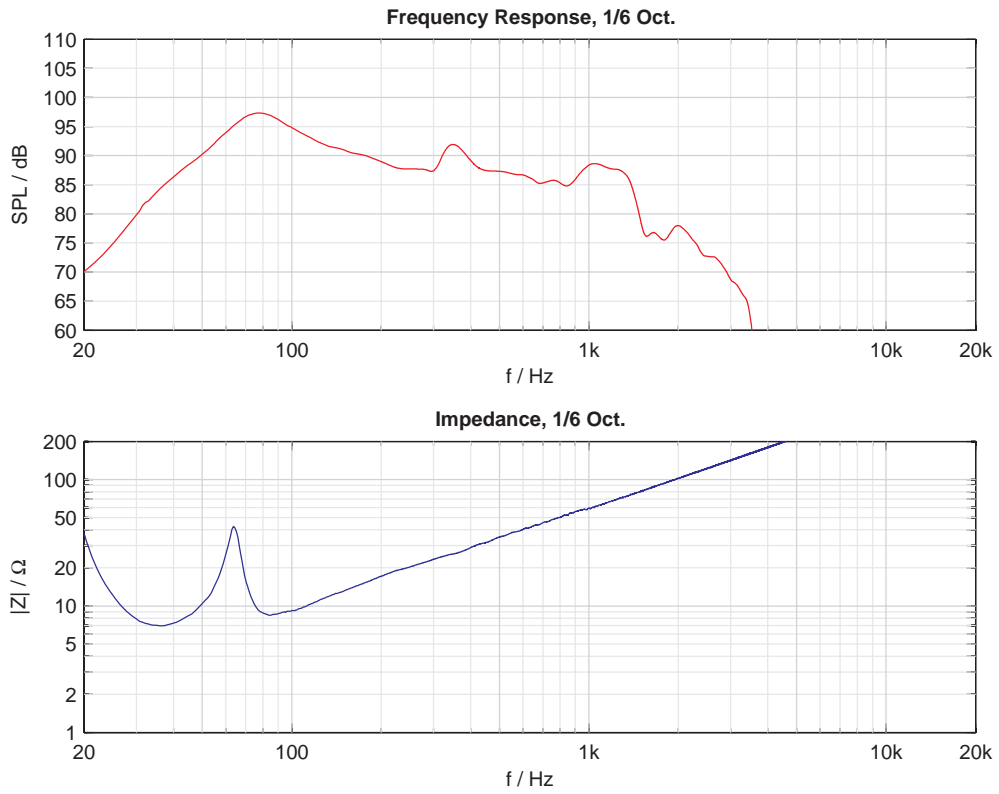


Illustration 3: Block diagram

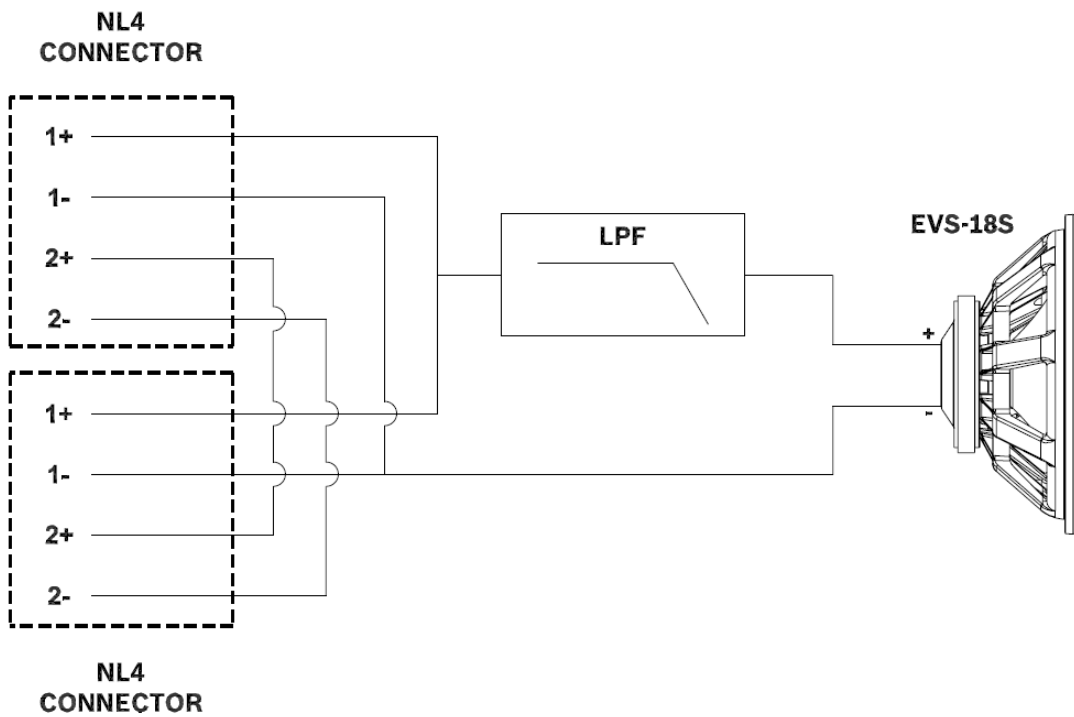
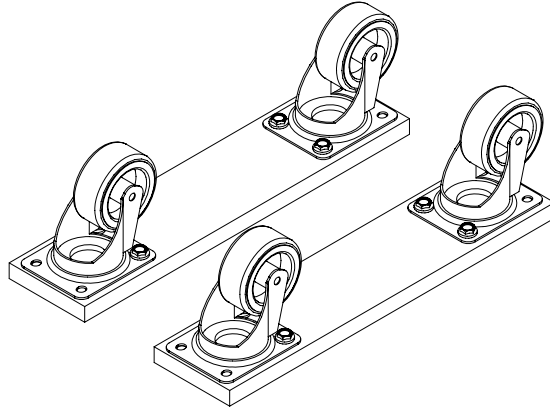


Illustration 4: Optional Wheel Kit WK-C18

---



12000 Portland Avenue South, Burnsville, MN 55337, USA  
Phone: +1 952/844-4051, Fax: +1 952/884-0043

[www.dynacord.com](http://www.dynacord.com)

© Bosch Communications Systems 11/2010  
**Part Number F01U167444 Vs 02**

Europe, Africa, and Middle East only. For customer orders, contact Customer Service at:  
**+49 9421-706 0 Fax: +49 9421-706 265**

Asia & Pacific only. For customer orders, contact Customer Service at:  
**+65 6571 2534 Fax: +65 6571 2699**

For technical assistance, contact Technical Support at: **+49 9421-706 0**

Specifications subject to change without notice.